

HIGH BAY RETROFITS FOR ENCLOSED FIXTURES



VOLTAGE**	MOGUL BASE	INSTALL METHOD	OPERATING TEMP	ENCLOSED FIXTURES	SURGE PROTECTION	CRI	RATED LIFE	WARRANTY

designed to perform

advanced active cooling



LED-8242M

- Available in 95W, 140W and 270W models replacing up to 1000W HID.
- Dynamic temp control with advanced active cooling supports a longer, brighter life.
- Pretested & potted drivers are burnt in 3x prior to shipping and protected against vibration & moisture.
- Expertly engineered to work efficiently in enclosed fixtures & damp environments, while also protected against insects & dust.
- Dual stage MOV protection with integrated 6kA surge.
- USA designed & specified LED driver.

replaces up to 1000W HID

PART #	UPC	REPLACES	WATTAGE	LUMENS	CCT (K)*	BASE
LED-8236M50	844006023256	250W HID	95W	13865	5000K	EX39
LED-8232M50	844006023232	400W HID	140W	19330	5000K	EX39
LED-8242M50	844006023317	1000W HID	270W	36010	5000K	EX39

* See page 2 for additional color temperatures.

** See page 2 for 347 volt options for Canada.

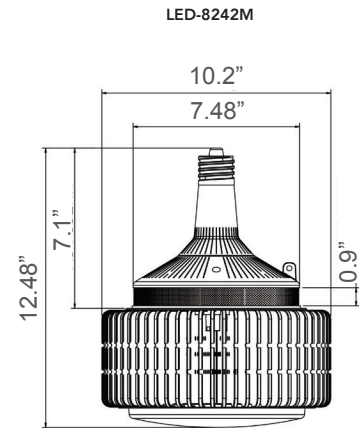
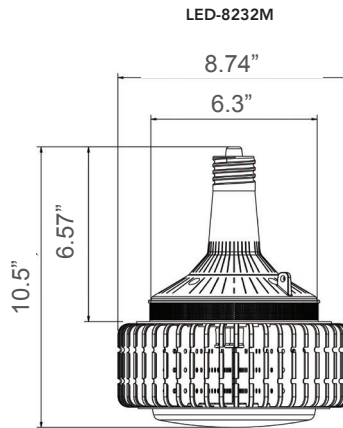
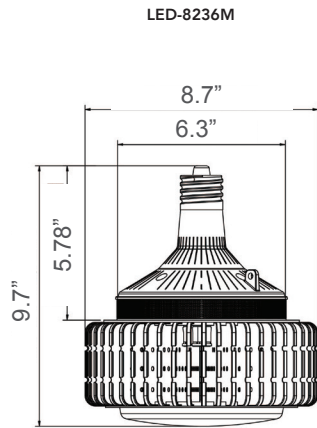


RemPhos

FOR PRODUCT INFO ("LED" MODEL #) CONTACT.....Light Efficient Design • 188 S. Northwest Highway • Cary, IL 60013 • 847.380.3540 • led-llc.com
 FOR PRODUCT INFO ("RP" MODEL #) CONTACT.....RemPhos by Light Efficient Design • 30 Log Bridge Road, Building 200 • Middleton, MA 01949 • 877.997.3674 • remphos.com

02.01.19 Information is subject to change without notice.

HIGH BAY RETROFITS FOR ENCLOSED FIXTURES



ORDERING GUIDE

PART #	UPC	REPLACES	WATTAGE	LUMENS	CCT (K)	BASE
LED-8236M40	844006023249	250W HID	95W	13230	4000K	EX39
LED-8236M50	844006023256	250W HID	95W	13865	5000K	EX39
LED-8232M40	844006023225	400W HID	140W	18730	4000K	EX39
LED-8232M50	844006023232	400W HID	140W	19330	5000K	EX39
LED-8242M40	844006023300	1000W HID	270W	33995	4000K	EX39
LED-8242M50	844006023317	1000W HID	270W	36010	5000K	EX39



347 VOLT OPTIONS FOR CANADA



PART #	UPC	REPLACES	WATTAGE	LUMENS	CCT (K)	BASE
LED-8236M40C	844006023287	250W HID	95W	13480	4000K	EX39
LED-8236M50C	844006023294	250W HID	95W	13480	5000K	EX39
LED-8232M40C	844006023263	400W HID	140W	18500	4000K	EX39
LED-8232M50C	844006023270	400W HID	140W	19545	5000K	EX39
LED-8242M40C	844006023324	1000W HID	270W	36200	4000K	EX39
LED-8242M50C	844006023621	1000W HID	270W	36890	5000K	EX39



FOR PRODUCT INFO ("LED" MODEL #) CONTACT.....Light Efficient Design • 188 S. Northwest Highway • Cary, IL 60013 • 847.380.3540 • led-llc.com
 FOR PRODUCT INFO ("RP" MODEL #) CONTACT.....RemPhos by Light Efficient Design • 30 Log Bridge Road, Building 200 • Middleton, MA 01949 • 877.997.3674 • remphos.com

02.01.19 Information is subject to change without notice.